

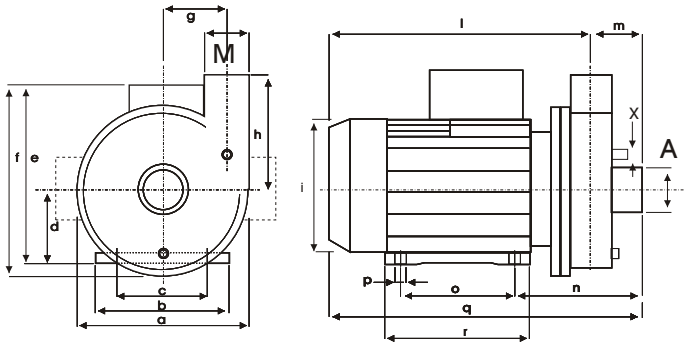


ZF 650DX

kW 1.10 Hm 12.0 max
Hp 1.50 L/1' 734 max



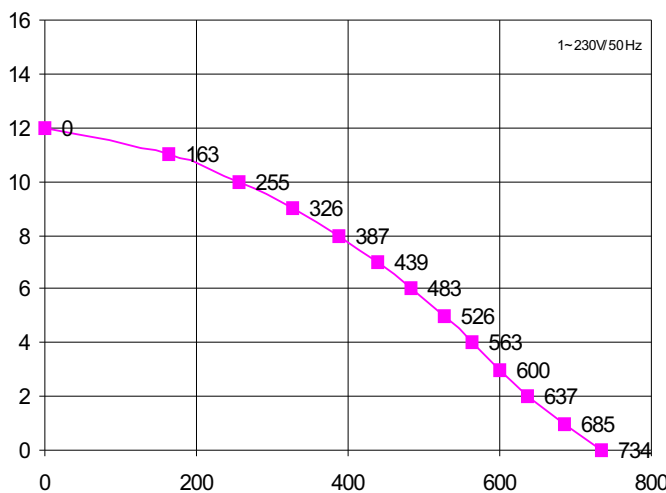
| | |
|--|--|
| Corpo Pompa Pump Body Pumpengehäuse | PP 30 GF |
| Girante Aperta Open Impeller Offenes Laufrad | SPS G30 |
| Albero Motore Motor Shaft Motorwelle | AISI 416 |
| Tenuta Meccanica Mechanical Seal Gleitringdichtung | GRAFITE/CERAMICA CARBON/CERAMIC KOHLE/KERAMIK |



| DX | A | M |
|------|----|-----|
| L10: | 60 | 50 |
| L12: | 70 | 60 |
| F4: | 2" | 1½" |

REVISIONE N.07/03 P69/02

| mod | a | b | c | d | e | f | g | h | i | l | m | n | o | p | q | x | kg |
|----------|-----|-----|-----|----|-----|-----|----|-----|-----|-----|----|-----|-----|---|-----|----|------|
| ZF 650DX | 210 | 155 | 127 | 80 | 175 | 195 | 78 | 110 | 160 | 290 | 50 | 147 | 100 | 9 | 339 | 12 | 11,1 |



| H m | 0 | 1 | 3 | 5 | 7 | 9 | 11 | 12 |
|--------|-----|-----|-----|-----|-----|-----|-----|----|
| L / 1' | 734 | 685 | 600 | 526 | 439 | 326 | 163 | 0 |

Ci riserviamo il diritto di apportare modifiche tecniche

We reserve the right of technical modifications

Technische Änderungen vorbehalten

| | | |
|--|---------------|---|
| Potenza motore Motor power Motor Leistung | Hp | kW |
| | 2,11 | 1,55 |
| Tensione/Frequenza Tension/Frequency Spannung/Frequenz | 1~V/Hz | 3~V/Hz |
| | 230/50 | 230-400/50 |
| Corrente assorbita Power consumption Stromaufnahme | A | A |
| | 7,2 | 4,9-2,9 |
| GPM RPM UPM | 2800 | |
| Condensatore Capacitor Kondensator | 25 µF | ---- |
| Protezione termica Thermal Overload Überlastschutz | 155 °C | |
| Classe isolamento Insulation class Isolationsklasse | F | |
| Grado protezione Protection class Schutzklasse | IP 44 | |
| Servizio Duty Betriebsart | S1 | CONTINUO CONTINUOUS DAUERBETRIEB |